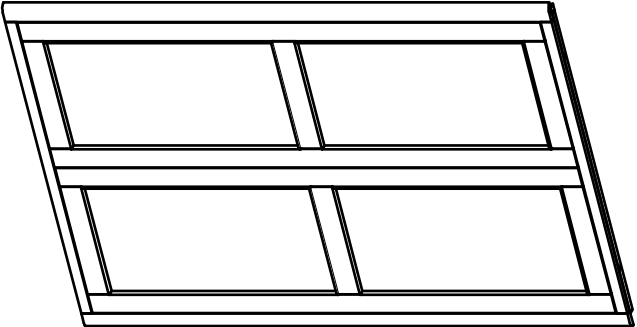
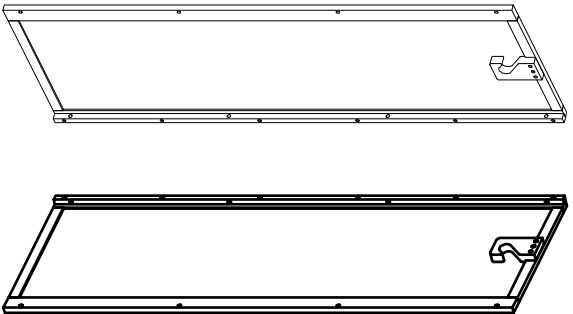
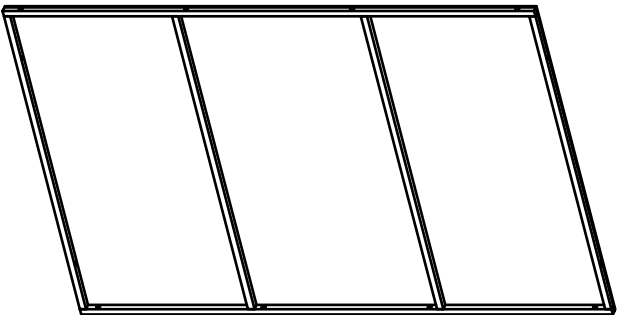
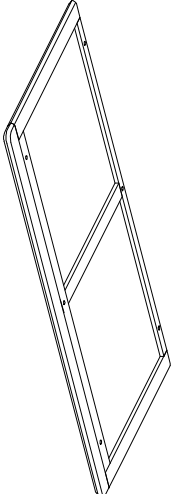
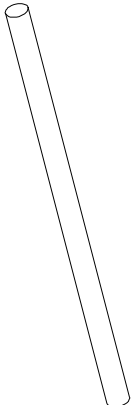
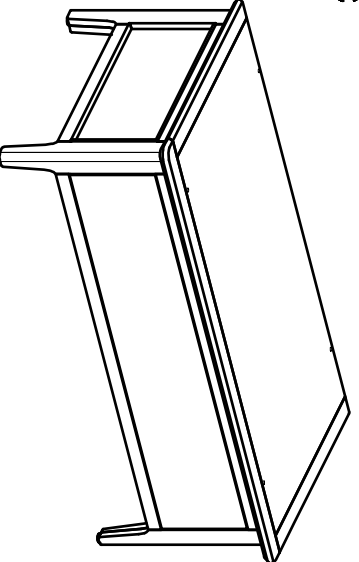
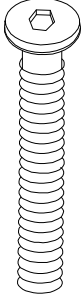
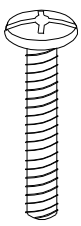

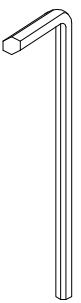


ASSEMBLY INSTRUCTION LARGE 2 DOOR WADROBE

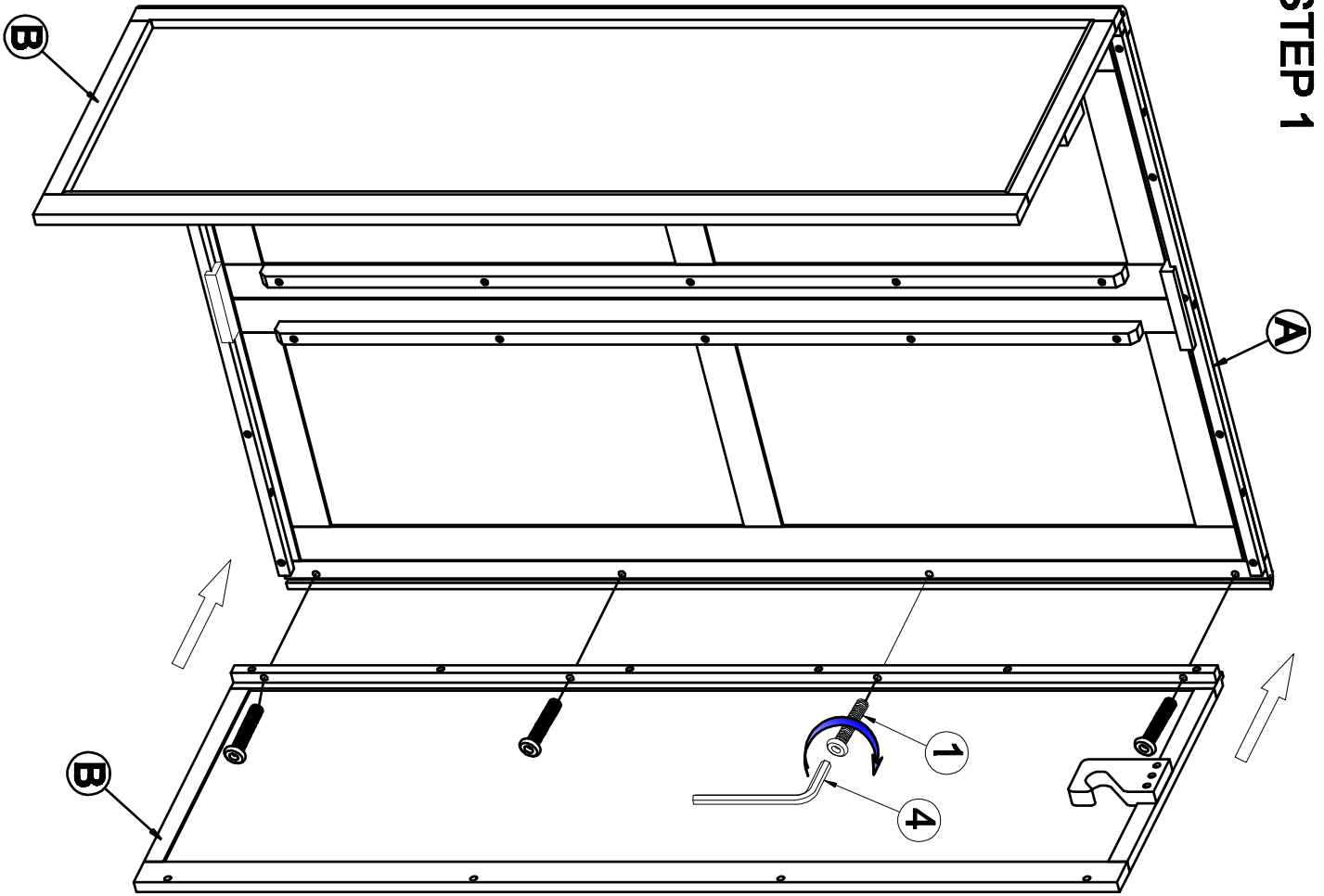
PARTS LIST

<p>A = 1PC</p> 	<p>B = 2PCS</p> 	<p>C = 1PC</p> 	<p>D = 1PC</p> 	<p>E = 1PC</p> 
<p>F = 1PC</p>				
				

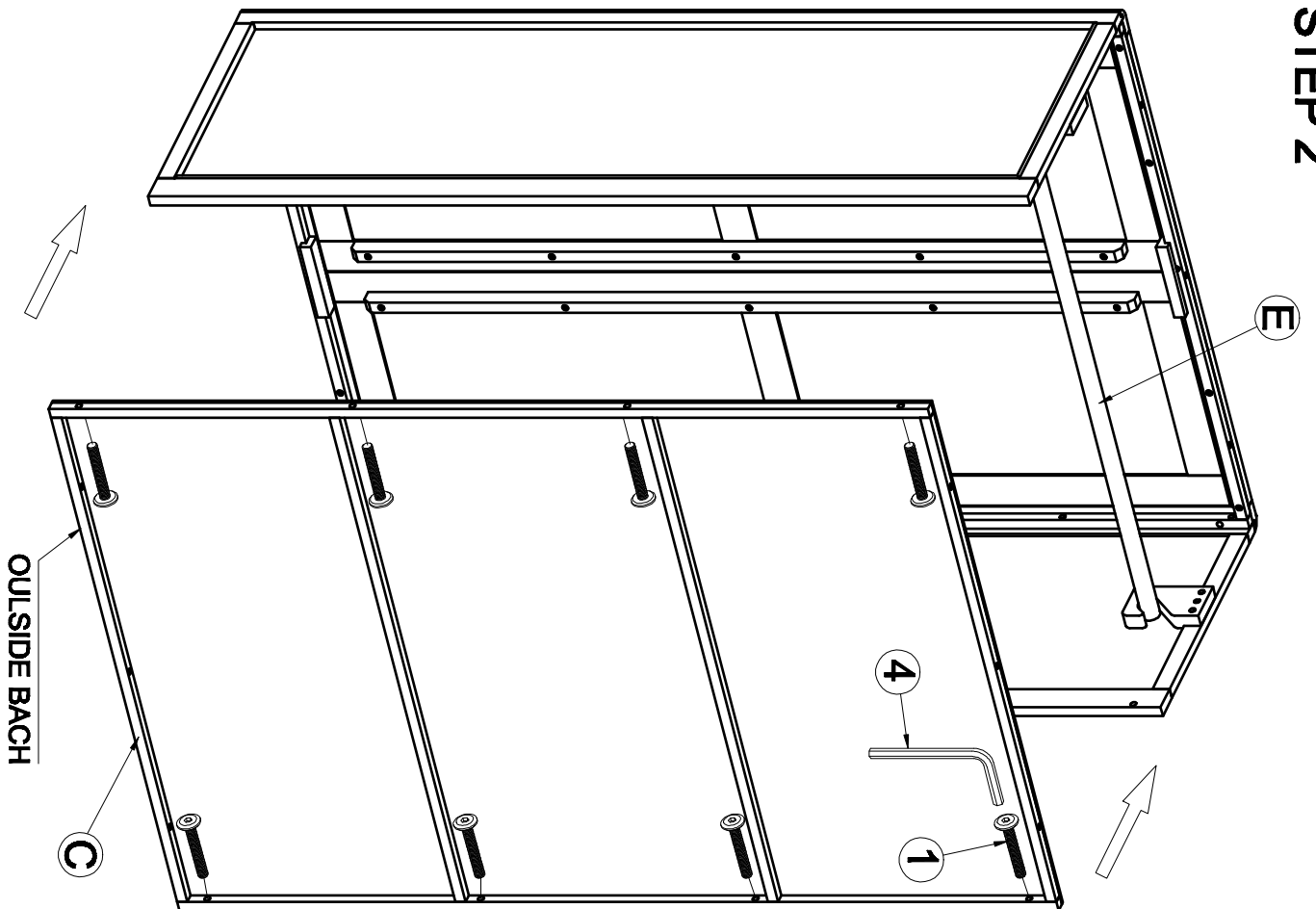
HARDWARE LIST

<p>①</p> <p>M6 x 30 = 28 PCS</p> 	<p>②</p> <p>M4 x 25 = 2 PCS</p> 	<p>③</p> <p>35 x 35 = 2 PCS</p> 	<p>④</p> <p>4 x 30 x 60 = 1 PC</p> 
--	---	---	--

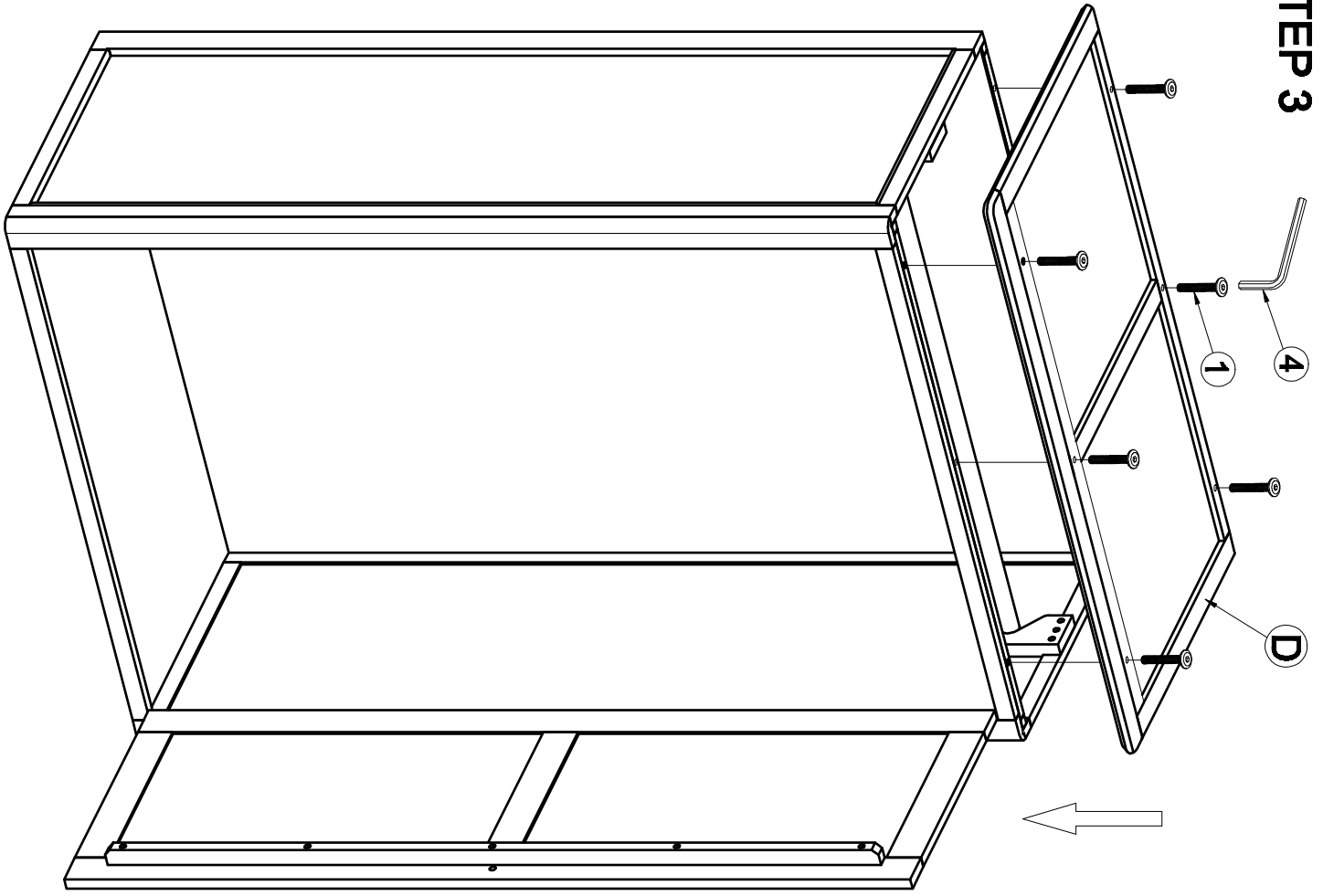
STEP 1



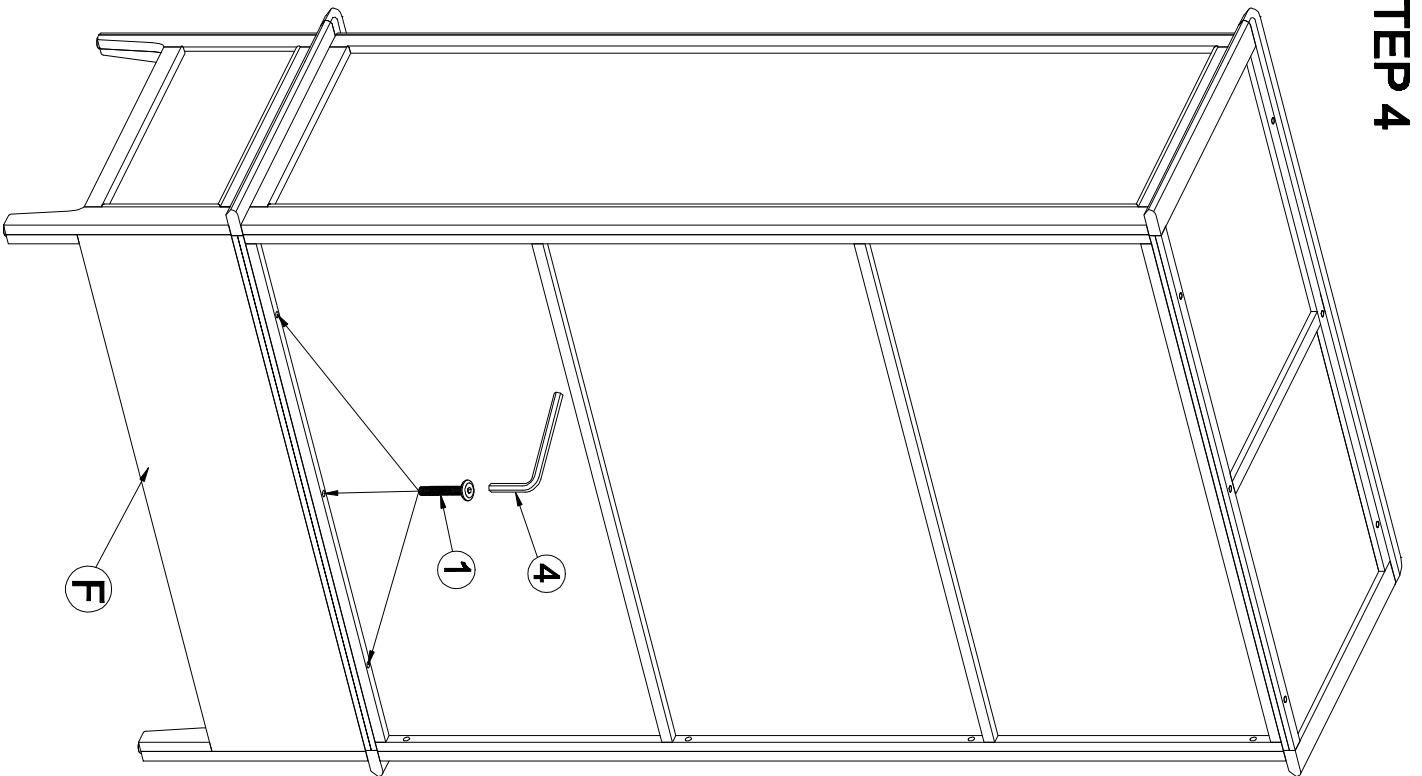
STEP 2



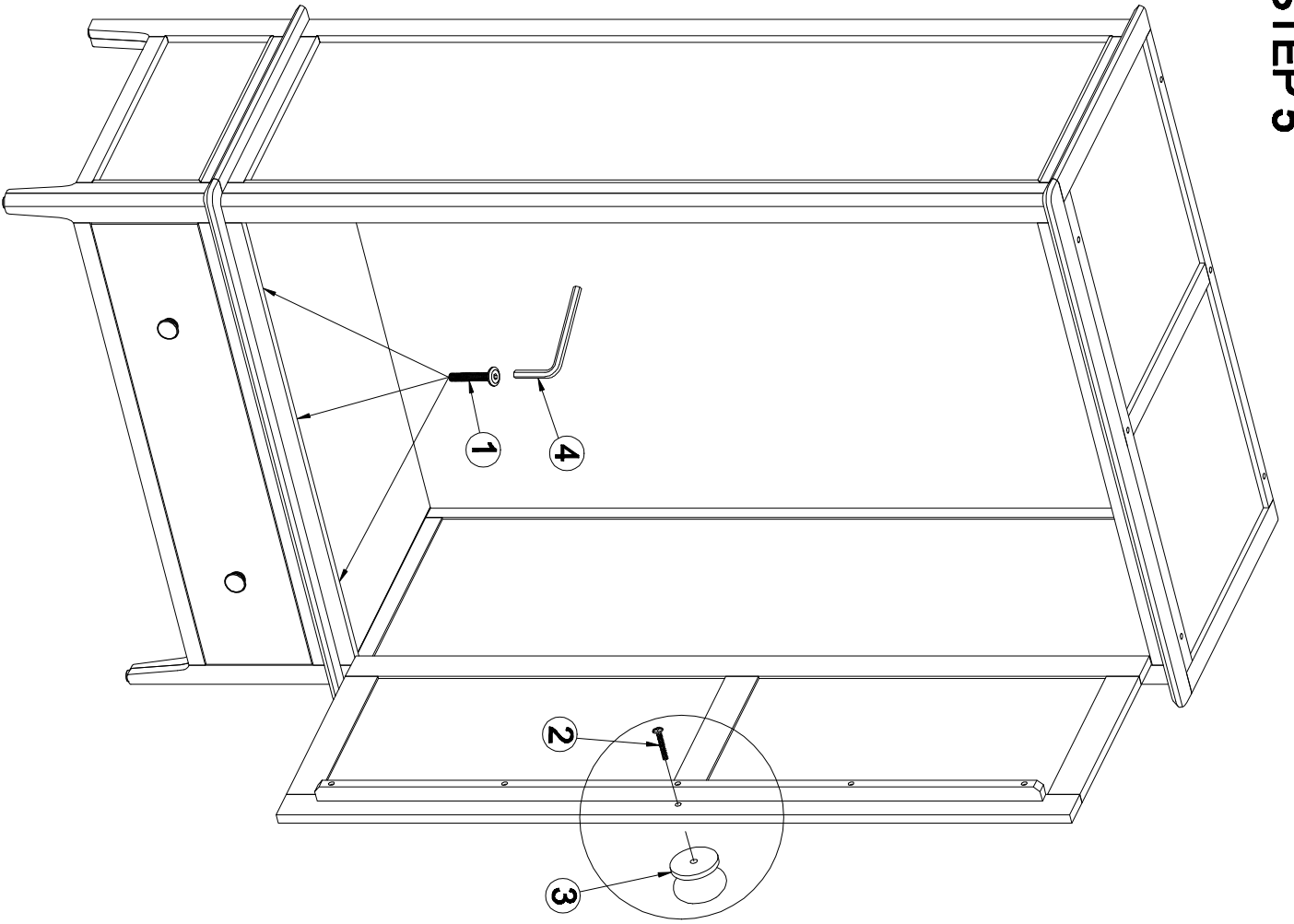
STEP 3



STEP 4



STEP 5



STEP 6

